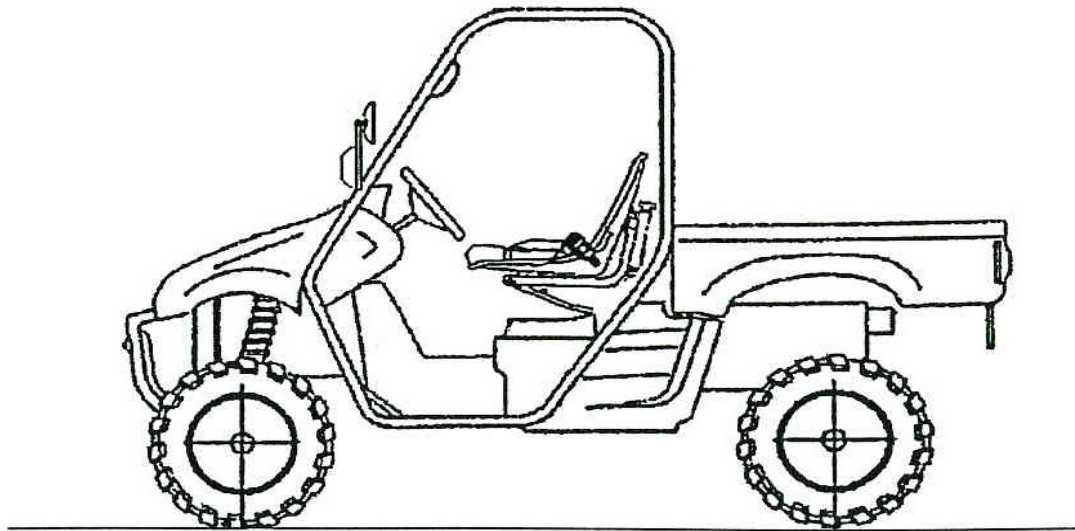




PARTS CATALOGUE



D-MCT TRAKTOR RHINO 700 **TY 66**

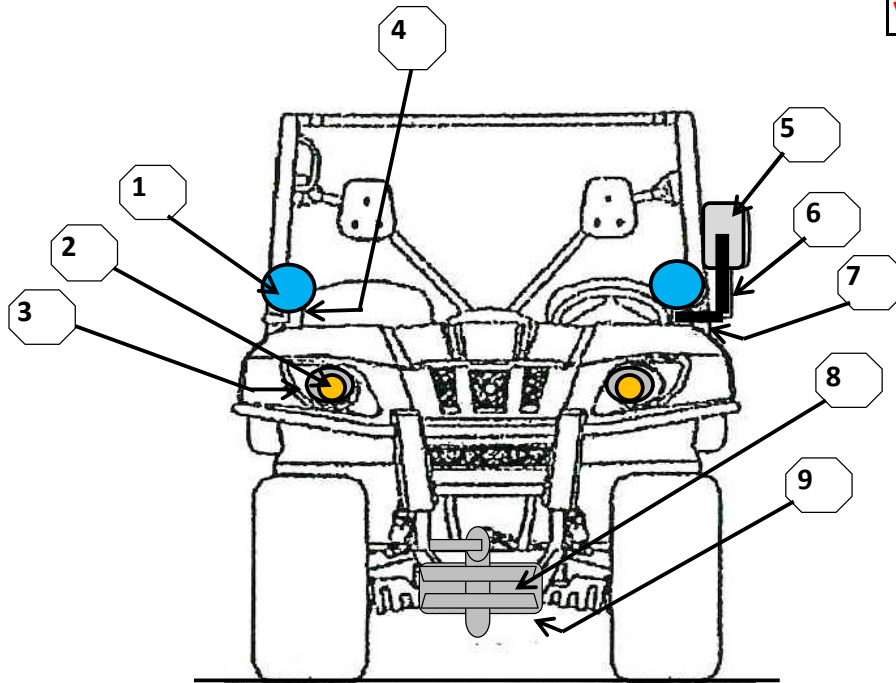
Page 2	<i>FRONT LIGHT, COUPLING 2008</i>
Page 3	<i>FRONT LIGHT, COUPLING 2009</i>
Page 4	<i>REAR LIGHT, COUPLING</i>
Page 5	<i>SEAT, HORN</i>
Page 6	<i>SWITCHES AND CONTROL LAMP</i>
Page 7	<i>CABLE, HARNESS, RELAY</i>
Page 8	<i>SPEED REDUCTION</i>



FRONT LIGHT AND COUPLING DEVICES

D-MCT TY66

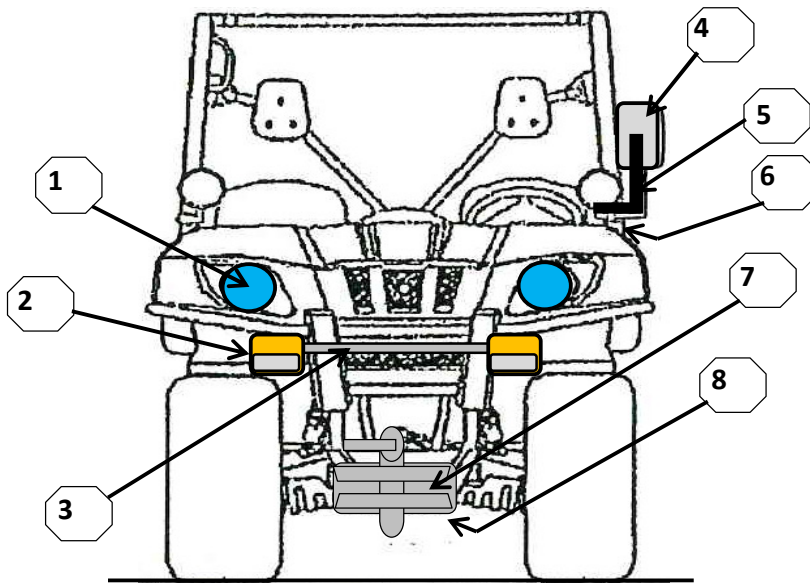
Version I 2008



NO	PART NUMBER	DESCRIPTION	QUANT.	OTHERS
1	100 042-1	FRONT HEADLAMP	NIOX E12, 011001	2
2	112 4679	FRONT INDICATOR	HELLA E1, 0142763	2
3	T10Y 660	HOLDER, PLATE, INDICATOR		2
4	80K 701	HOLDER RIGHT, HEADLAMP		1
	80K 702	HOLDER LEFT, HEADLAMP		1
	324 2597	CLAMP, HOLDER HEADLAMP		2
5	T712 1320	REAR MIRROR	BRITAX E11, 026324	1
6	T70A 000	BAR, REAR MIRROR		1
7	80K 702	HOLDER, REAR MIRROR		1
8	T99U 900-1	FRONT COUPLING DEVICE		1
9	T99Y 660-1	MOUNTING PLATE, FR. COUPLING		1

FRONT LIGHT AND COUPLING DEVICES

D-MCT TY66
Version II 2009

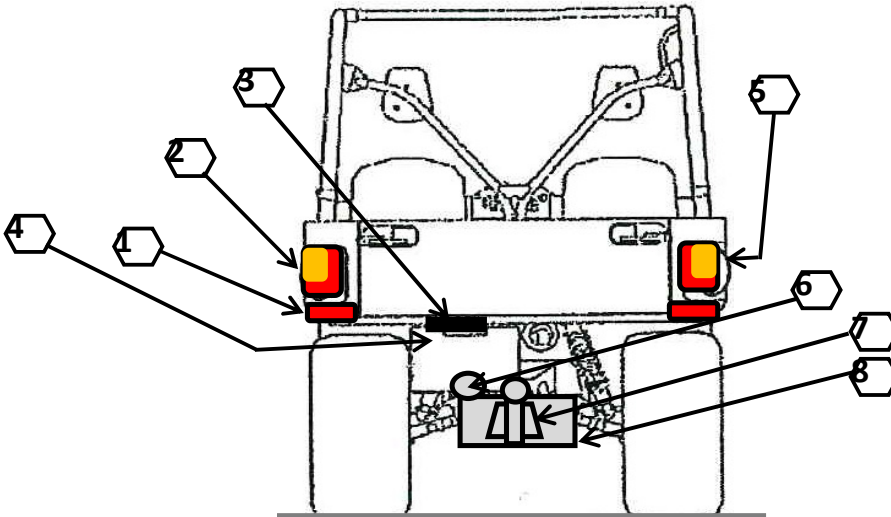


NO	PART NUMBER	DESCRIPTION	TY66	QUANT.	OTHERS
1	222 038-4	FRONT HEADLAMP	A004 JUTE E11, MB/ 010040	2	
2	112 5702	INDICATOR / POS.LAMP	HELLA E1, 42712	2	
3	T10Y 661	L-BRAKET, INDICATOR / POS.LAMP		1	
4	T712 1320	REAR MIRROR	BRITAX E11, 026324	1	
4	T70A 000	BAR, REAR MIRROR		1	
5	80K 702	HOLDER, REAR MIRROR		1	
6	324 2597	CLAMP		1	
7	T99U 900-1	FRONT COUPLING DEVICE		1	
8	T99Y 660-1	MOUNTING PLATE, FR. COUPLING		1	

REAR LIGHT AND COUPLING DEVICES

Page 4

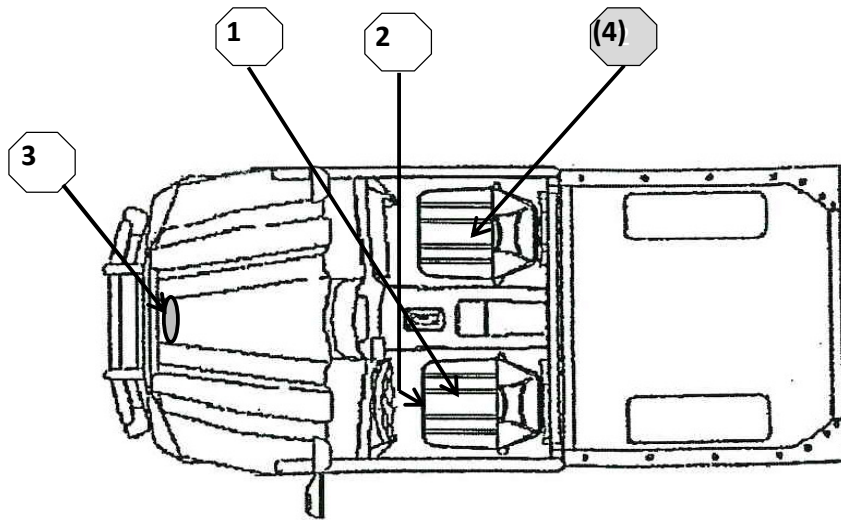
D-MCT TY66



NO	PART NUMBER	DESCRIPTION	QUANT.	OTHERS
1	199 2959	REAR REFLECTOR HELLA E17,02338	2	
2	112 1081	REAR LAMP RIGHT HELLA E1, R S 7058	1	
	112 1098	REAR LAMP LEFT 2a 6040	1	
3	112 3034	LAMP LICENSE PLATE HELLA E1, 0022808	1	
4	T45Y 660	HOLDER, LICENCE PLATE / LAMP	1	
5	T40Y 660-1	HOLDER, REAR LAMP	2 (SET)	
6	146 0151	CONNECTOR FOR TRAILER ELECTRIC	1	
7	T50 39	REAR COUPLING MONOFLEX	1	
8	T99Y 662	MOUNTING PLATE COMPL.	1	

MIRROR, HORN AND DRIVER SEAT

D-MCT TY66

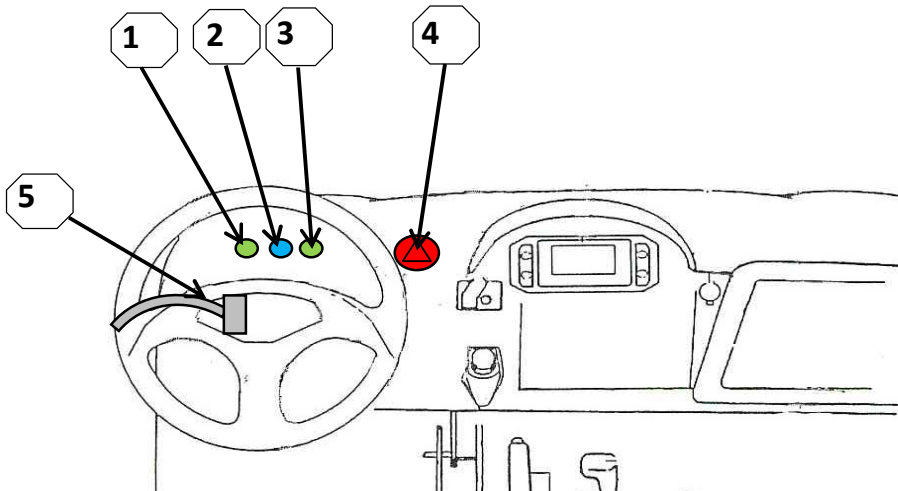


NO	PART NUMBER	DESCRIPTION	QUANT.	OTHERS
1	T 300W	DRIVER SEAT	PILOT, e1 0017	1
	TSP 200	<i>alternative</i>	PILOT, e1 0014	(1)
2	T50Y 660	MOUNTING PLATE SEAT	TSP 200	1
3	010 45D00	HORN	LEONELLI, E9 011133	1
4	OPTIONAL			
	TSP 200	PASSENGER SEAT	PILOT, e1 0014	1

SWITCH AND CONTROL LAMPS

Page 6

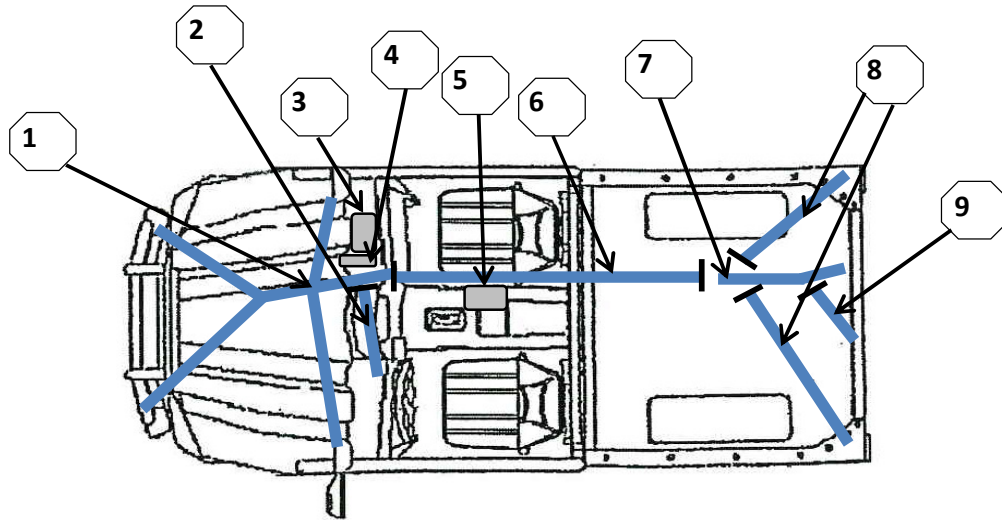
D-MCT TY66



NO	PART NUMBER	DESCRIPTION	QUANT.	OTHERS
1	EX25 052D20	CONTROL LAMP, TRAILER INDICATORS	1	
2	EX25 052D00	CONTROL LAMP, HIGH BEAM	1	
3	EX25 052D20	CONTROL LAMP, INDICATORS	1	
4	151 1172	SWITCH, WARNING HAZARD	1	
5	153 0287	SWITCH, INDICATORS	1	

CABLE, HARNESS, RELAY

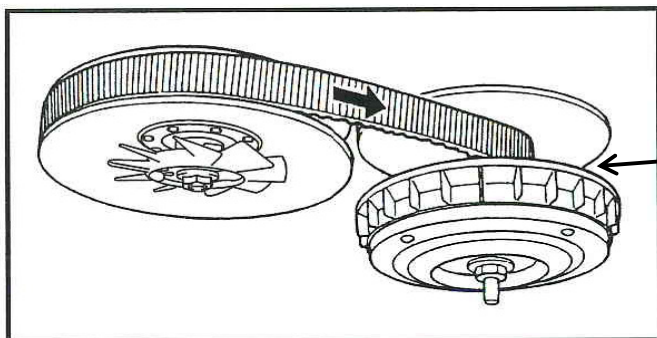
D-MCT TY66



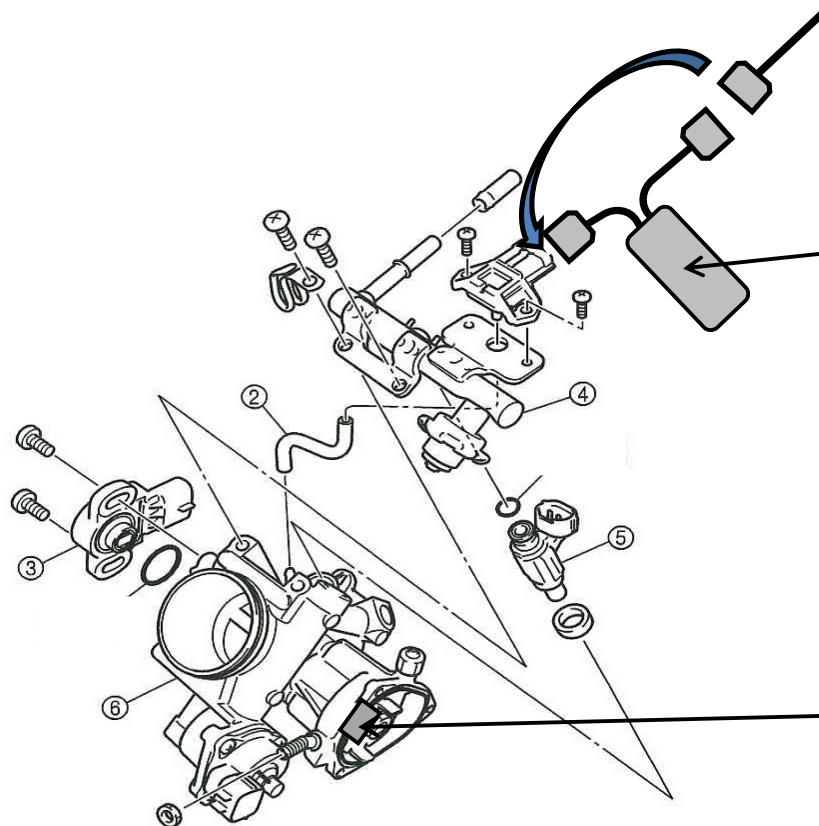
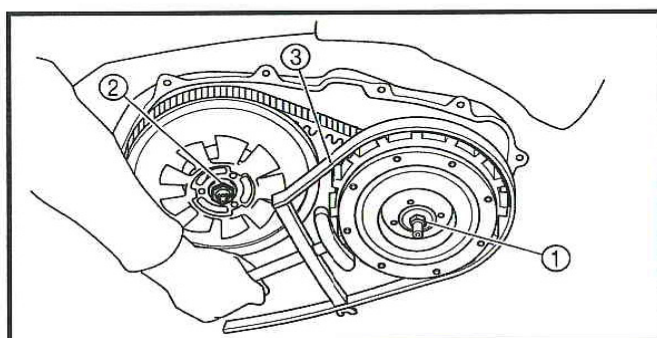
NO	PART NUMBER	DESCRIPTION	QUANT.	OTHERS
1	410 1064	HARNESS, FRONT	1	
2	410 1065	HARNESS, SWITCH, CONTROL LAMPS	1	
3	EX25 355E60	RELAY, INDICATOR	1	
4	410 0463	FUSE HOUSING, COMPL.	1(SET)	
5	EX25 038E00 TY66	SPEED LIMITER	1	
6	410 1113	HARNESS, CENTER	1	
7	410 1062	HARNESS, REAR	1	
8	410 1115	CONNECT CABLE, REAR LAMP	2	
9	410 1114	CONNECT CABLE, LICENSE PLATE LAMP	1	

PROCEDURE TO REDUCE THE SPEED

D-MCT TY66



SPACER BETWEEN THE
PRIMARY SHEAVE



SPEEDLIMITER, ASSEMBLED
AT THE INJECTION VALVE

STOPPER IN THE
THROTTLEHOUSING